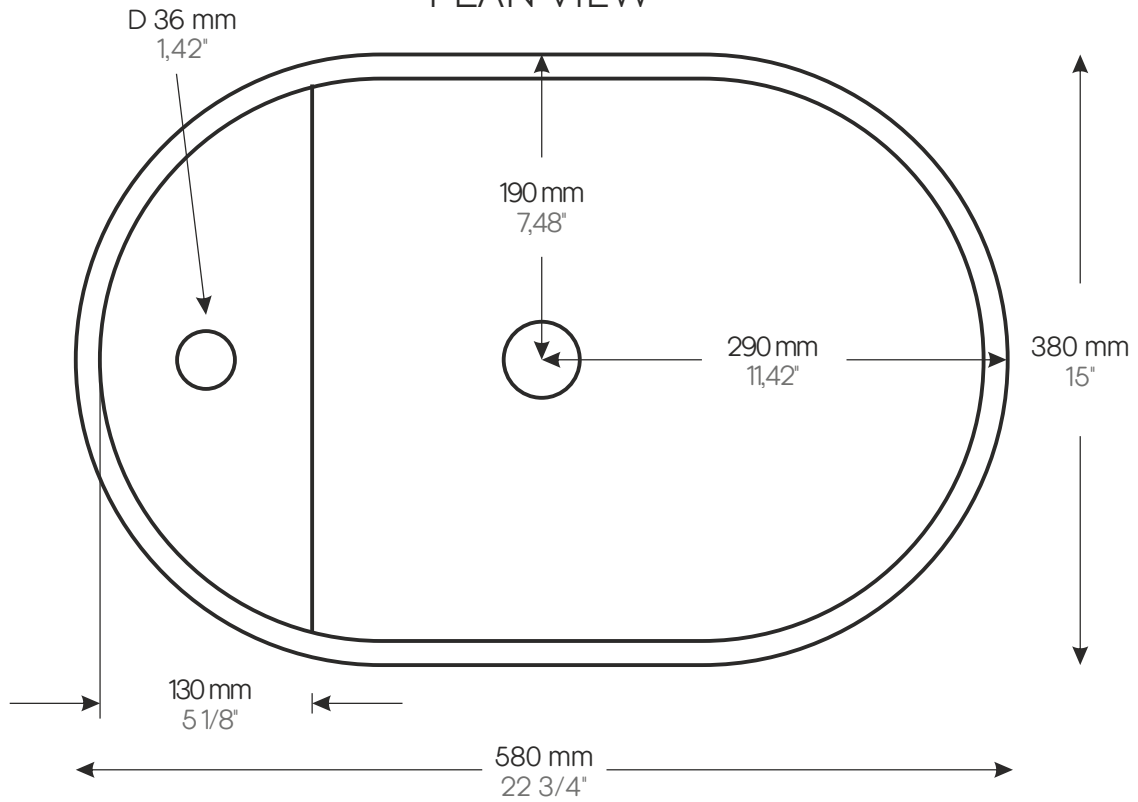


Fusion Deck

PLAN VIEW



SECTION VIEW

